

INSTALLATION INSTRUCTIONS

Wall-Mount Express DVDC0073W

Tools and Materials that may be required:

- Adjustable wrench ½ or socket set
- 3/8 Inch drill bit/electric drill [concrete drill bit may be necessary for floor anchoring]
- Other tools/materials may also be necessary depending upon actual installation
- Installation Hardware Kit included – locate white hardware kit box

Installation Procedure:

Confirm installation site with onsite management prior to installation.

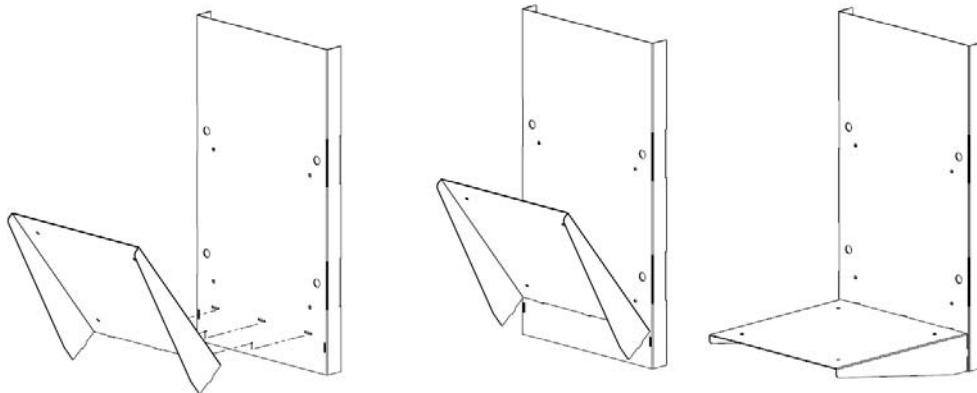
1. Use wall-shelf support to locate and center mark holes for drilling.
2. Position support against the wall where unit is to be installed. Locate anchoring holes and center mark holes for drilling.

WARNING: DO NOT DRILL HOLES DIRECTLY ABOVE OR BELOW WALL OUTLETS

3. Remove shelf support and set aside to gain access to drill marks and drill holes. Note: 4 lag screws are also provided for possible solid wall or wall stud anchoring configurations [see Figure 2]

Wall Anchoring – re-position shelf support near install site wall and insert 4 toggle bolts through hole and spacers provided [see Figure 1 & 2]

4. Align unit against wall anchoring holes. Insert toggle bolt wing nut through wall anchoring holes and thumb tighten.
5. Align and insert wall-shelf into wall support as shown below [see Figure 1]



dVault Company, Inc. • 9800 Mount Pyramid Court • Suite 400 • Englewood, Colorado • 80112
Phone: (720) 895-1908 • Fax: (720) 895-1909 • World Wide Web: <http://www.dvault.com>

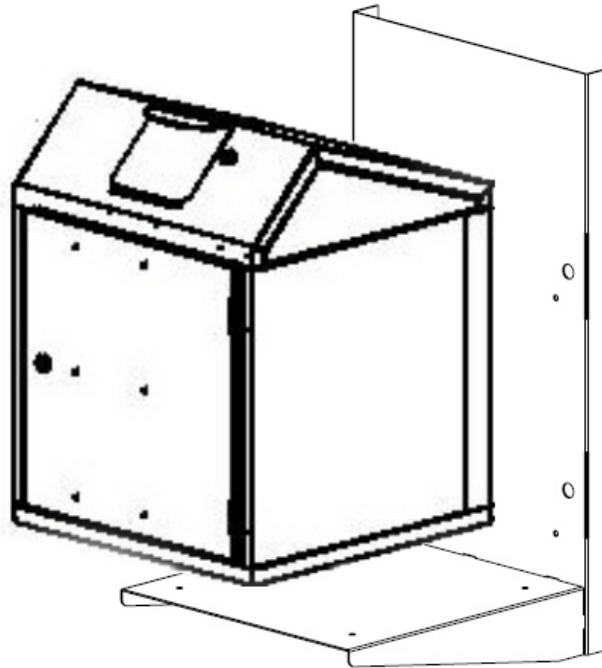
dVault

INSTALLATION INSTRUCTIONS

Wall-Mount Express DVDC0073W

Assembly Procedure:

1. Locate the keys, unlock and open the key-locked access door and remove false bottom.
2. Set collection unit on shelf and align with holes on shelf. Locate 4 rounded head bolts with flat/locking washers and nuts (4, 3/8" X 1" - Supplied). Install bolts from bottom up, making note of square holes in shelf unit (if properly installed, only the top of the round head bolts may be visible from the underside of the shelf assembly). Open access door of collection unit and install washers and nuts on rounded head bolts and tighten as needed. Reinstall false bottom, close and lock access door.
3. Clean unit and remove all packaging and hardware debris.



DVDC0073 plus wall-shelf Shown Above

dVault Company, Inc. • 9800 Mount Pyramid Court • Suite 400 • Englewood, Colorado • 80112
Phone: (720) 895-1908 • Fax: (720) 895-1909 • World Wide Web: <http://www.dvault.com>

dVault