

## ACCESS DOOR ROTATION INSTRUCTIONS

### DVDC0073 – 0079

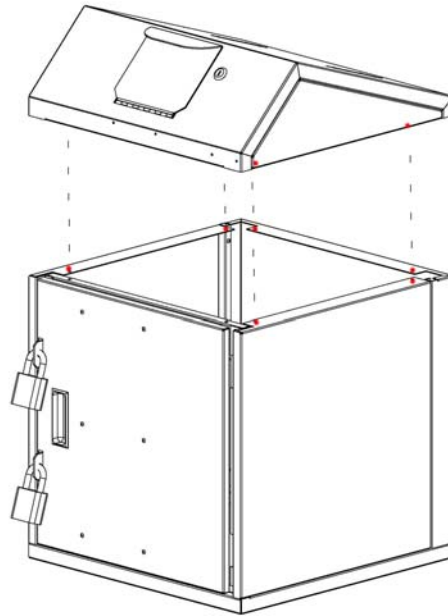
Tools and Materials that may be required:

- ¼ or ½ inch open/box end wrench or socket set, and screw driver set.

Assembly Procedure:

Standard Access Door Configuration: The Counter Express Access configuration is with front locked access. This may easily be adjusted by following the following steps:

1. Flip the unit on its top or upside down.
2. Locate the keys, unlock and open the key-locked access door.
3. Locate 6, 8/32" X 1/4" machine nuts and remove all seven nuts [see diagram below for nuts locations].
4. Separate the two pieces taking care to not scratch finished surfaces [it may be necessary to use a plastic putty knife to assist in separating the units].
5. Rotate the top section so that the access door will be in the desired position – left, right, front or rear access.
6. Reinstall the 6, 8/32" X 1/4" machine nuts and tighten as needed [DO NOT OVER TIGHTEN].
7. Flip the unit right side up and check access configuration.



DVDC0073 Shown Above

dVault Company, Inc. • 9800 Mount Pyramid Court • Suite 400 • Englewood, Colorado • 80112  
Phone: (720) 895-1908 • Fax: (720) 895-1909 • World Wide Web: <http://www.dvault.com>

**dVault**